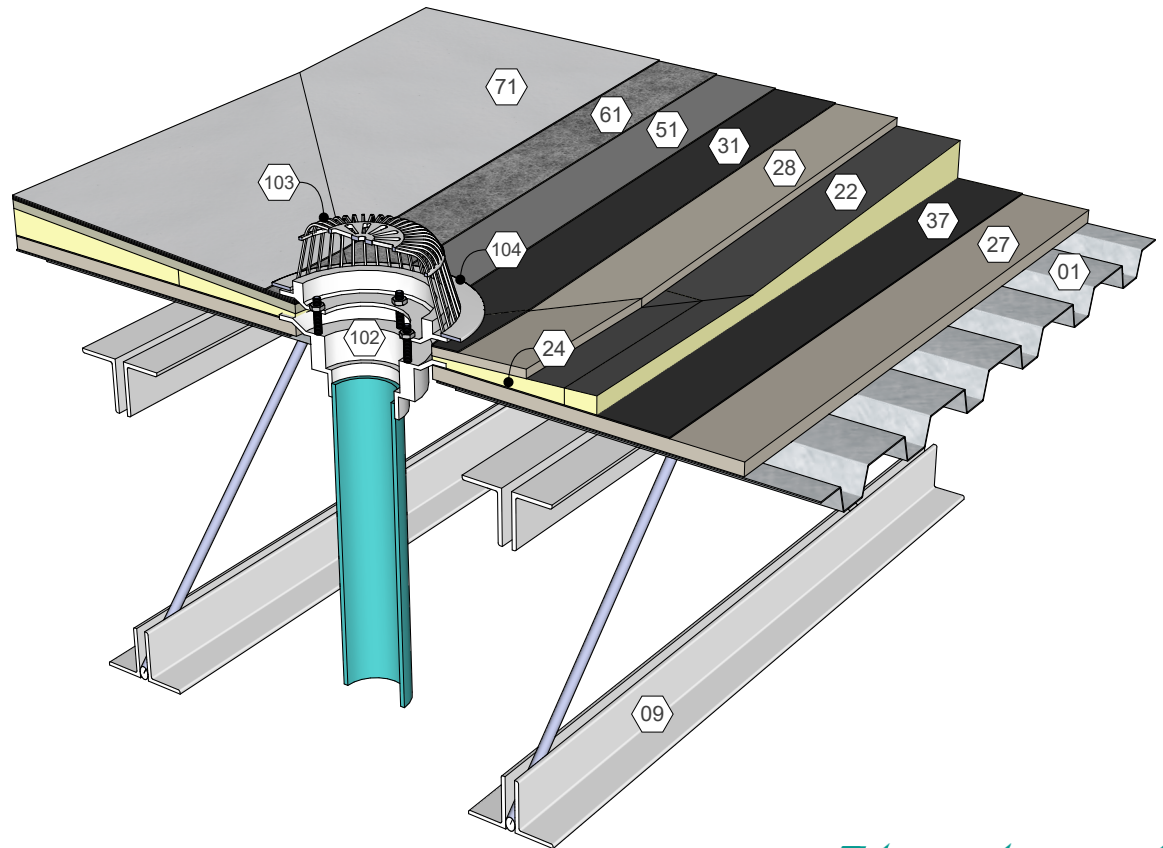
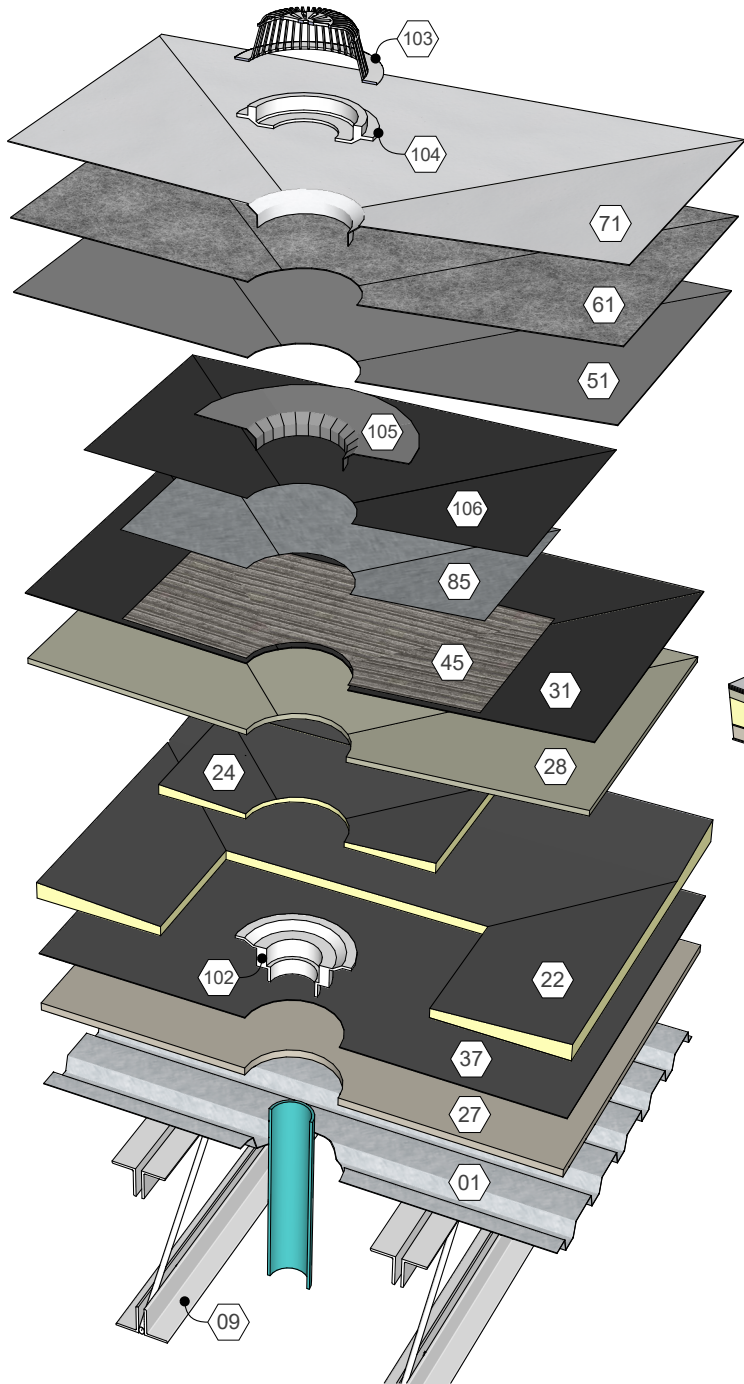
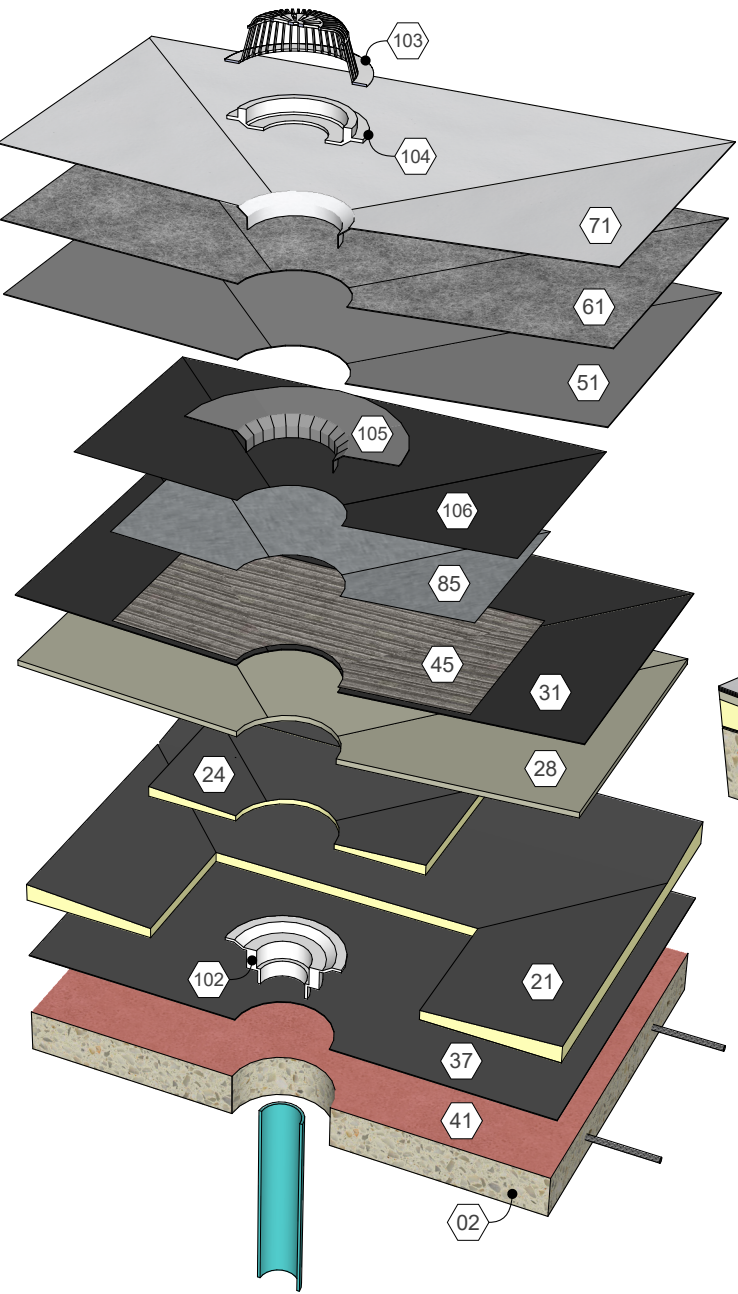


KEY NOTES

- | | | |
|---|------------------------------------|---------------------------|
| ① Metal Deck | ③ Approved Base Ply Sheet | ⑧ Lead Flashing Sheet |
| ⑨ Roof Structure | ③ Approved Base Sheet (Adhered) | ⑩ Drain Pan |
| ② Polyisocyanurate Insulation (Fastened or Adhered) | ④ Roofing Mastic | ⑩ Metal Drain Strainer |
| ④ Tapered Insulation Sump | ⑤ AlphaGuard MT/MTS Base Coat | ⑩ Clamping Ring |
| ⑦ Substrate Board (Fastened) | ⑥ AlphaGuard Glass Mat or Permafab | ⑩ AlphaGuard Target Patch |
| ⑧ Cover Board (Adhered) | ⑦ AlphaGuard MT/MTS Top Coat | ⑩ Stripping Ply |

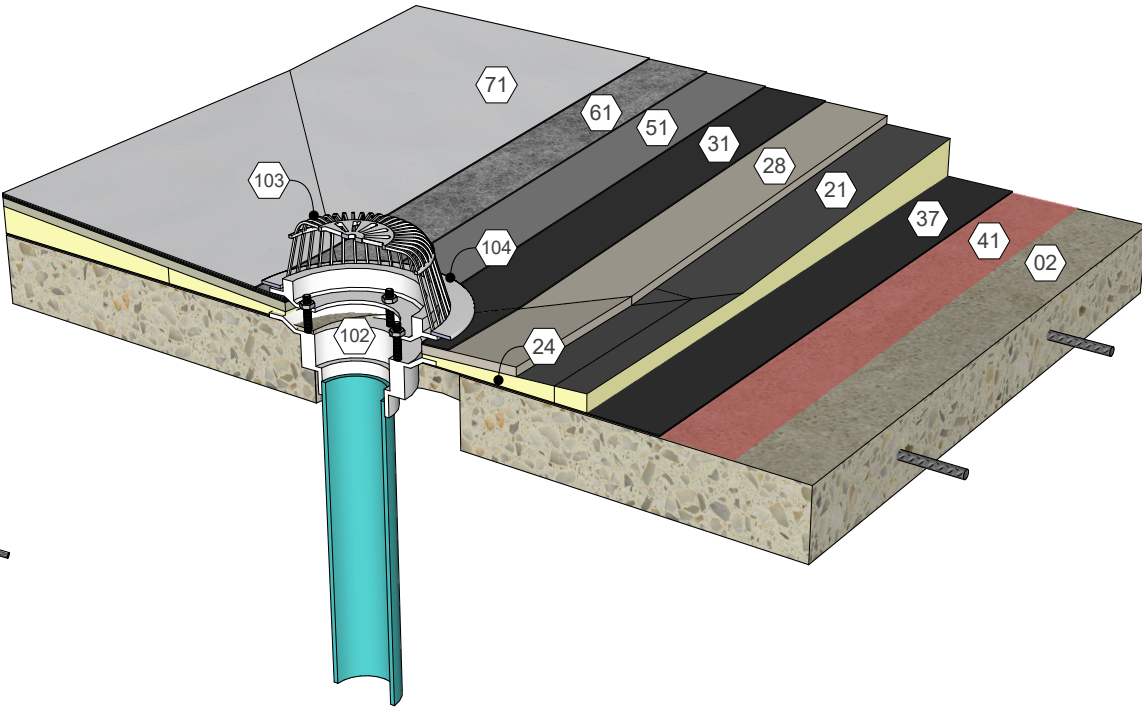


AlphaGuard® MT/MTS Plus Roof Drain, Temp. Roof, Metal Deck
Detail 32221



KEY NOTES

- | | | |
|--|-------------------------------------|-----------------------------|
| 02 Structural Concrete Deck | 37 Approved Base Sheet (Adhered) | 85 Lead Flashing Sheet |
| 21 Polyisocyanurate Insulation (Adhered) | 41 Approved Primer | 102 Drain Pan |
| 24 Tapered Insulation Sump | 45 Roofing Mastic | 103 Metal Drain Strainer |
| 28 Cover Board (Adhered) | 51 AlphaGuard MT/MTS Base Coat | 104 Clamping Ring |
| 31 Approved Base Ply Sheet | 61 AlphaGuard Glass Mat or Permafab | 105 AlphaGuard Target Patch |
| | 71 AlphaGuard MT/MTS Top Coat | 106 Stripping Ply |

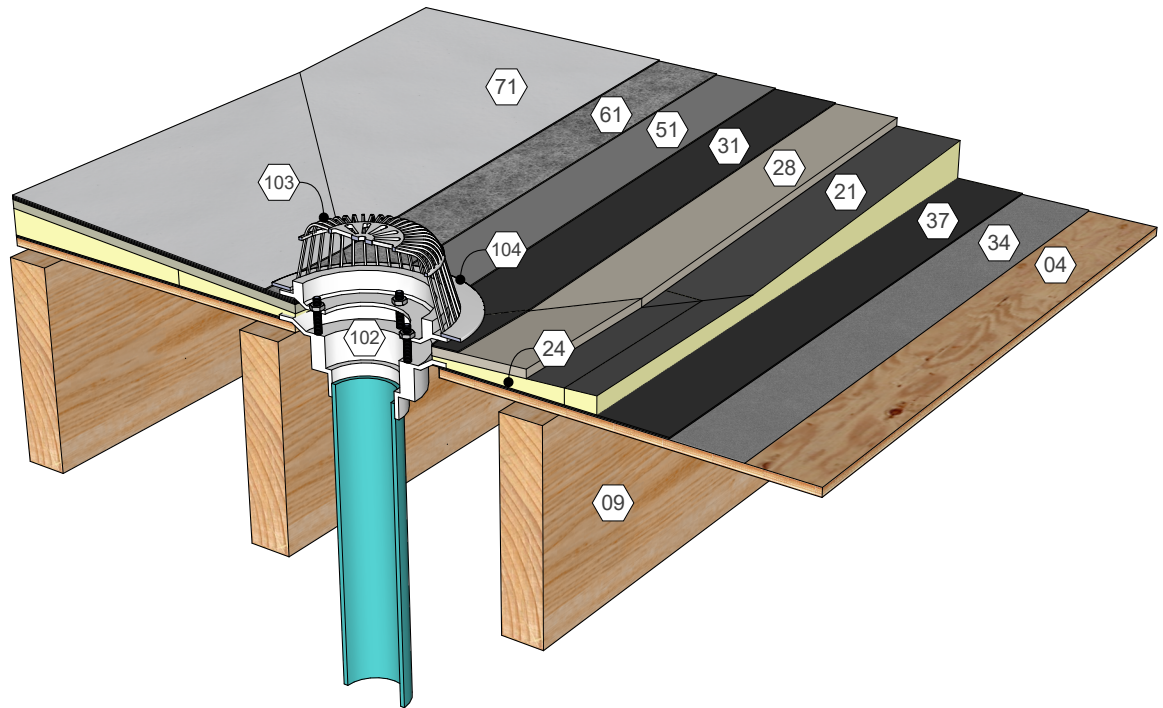
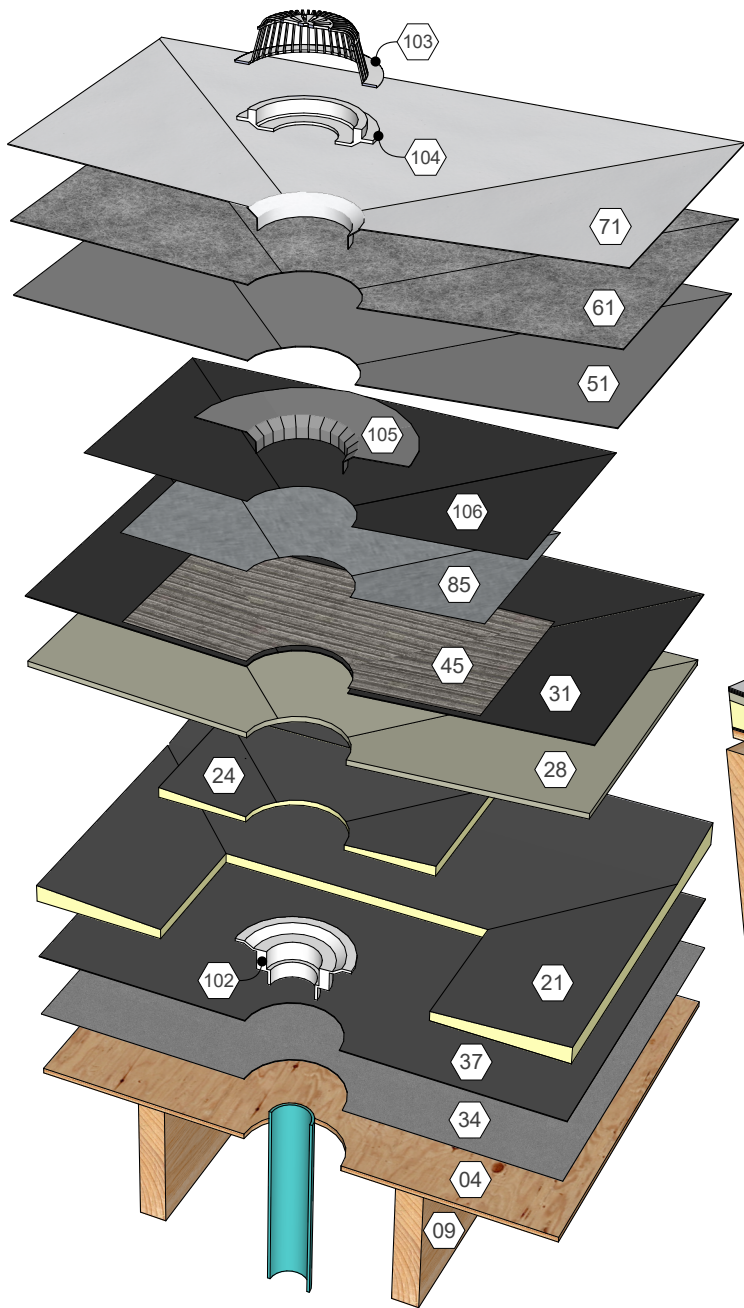


AlphaGuard® MT/MTS Plus Roof Drain, Temp. Roof, Structural Concrete Deck
Detail 32222



KEY NOTES

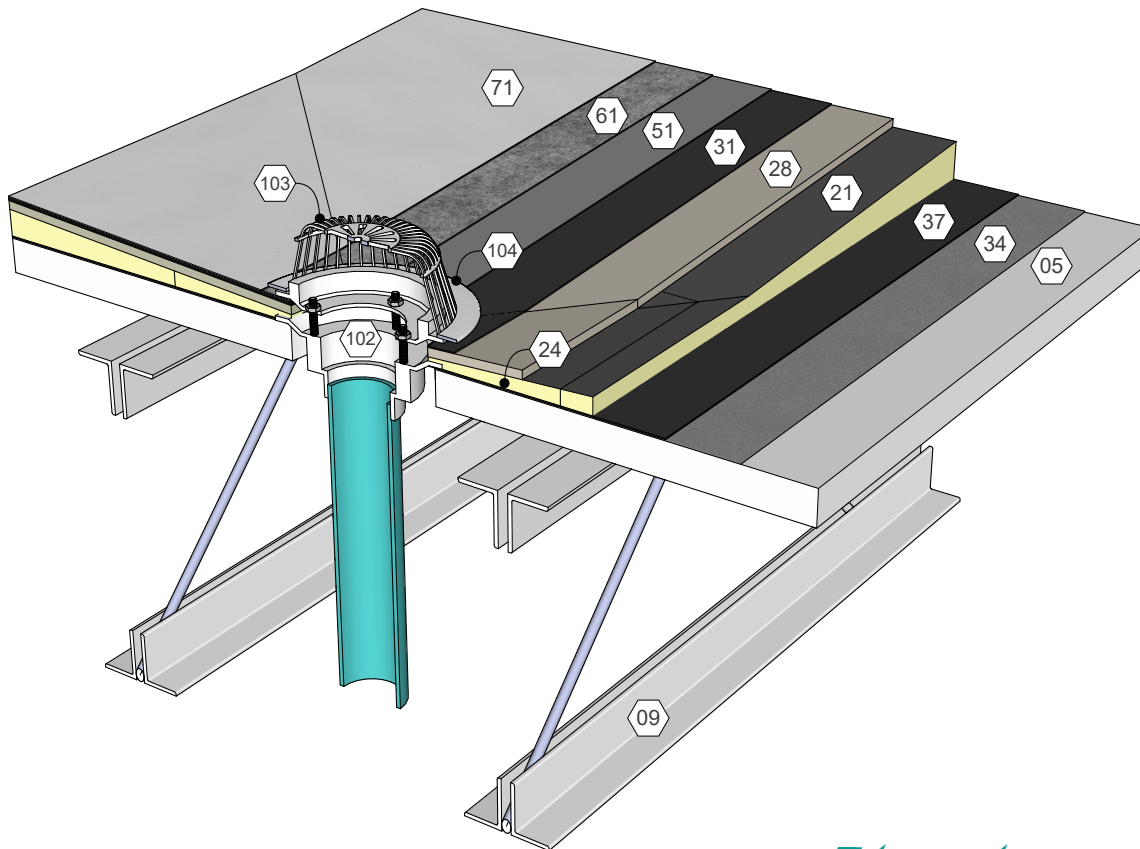
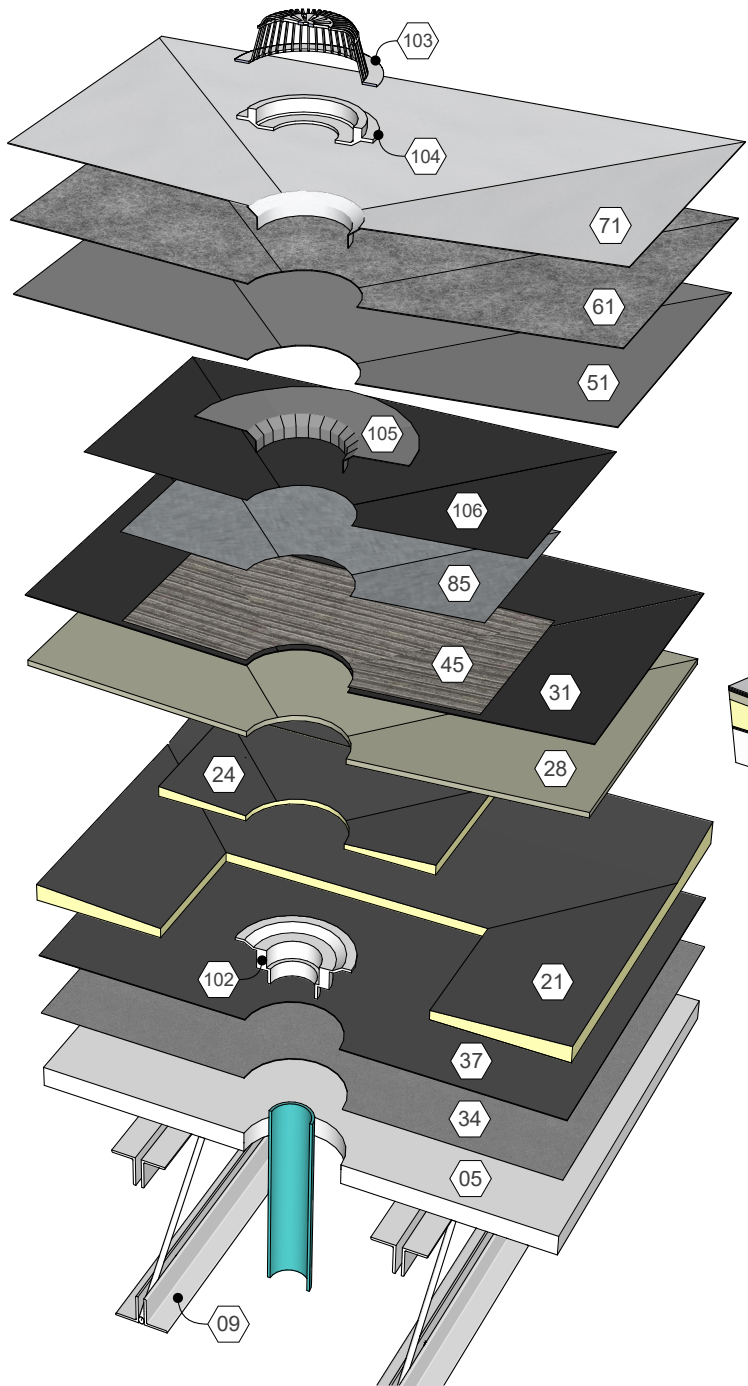
- | | | |
|--|-------------------------------------|-----------------------------|
| 04 Wood Deck | 37 Approved Base Sheet (Adhered) | 85 Lead Flashing Sheet |
| 09 Roof Structure | 34 Base Sheet (Fastened) | 102 Drain Pan |
| 21 Polyisocyanurate Insulation (Adhered) | 45 Roofing Mastic | 103 Metal Drain Strainer |
| 24 Tapered Insulation Sump | 51 AlphaGuard MT/MTS Base Coat | 104 Clamping Ring |
| 28 Cover Board (Adhered) | 61 AlphaGuard Glass Mat or Permafab | 105 AlphaGuard Target Patch |
| 31 Approved Base Ply Sheet | 71 AlphaGuard MT/MTS Top Coat | 106 Stripping Ply |



AlphaGuard® MT/MTS Plus Roof Drain, Temp. Roof, Wood Deck
Detail 32224

KEY NOTES

- | | | |
|--|-------------------------------------|-----------------------------|
| 05 Gypsum Deck | 37 Approved Base Sheet (Adhered) | 85 Lead Flashing Sheet |
| 09 Roof Structure | 34 Base Sheet (Fastened) | 102 Drain Pan |
| 21 Polyisocyanurate Insulation (Adhered) | 45 Roofing Mastic | 103 Metal Drain Strainer |
| 24 Tapered Insulation Sump | 51 AlphaGuard MT/MTS Base Coat | 104 Clamping Ring |
| 28 Cover Board (Adhered) | 61 AlphaGuard Glass Mat or Permafab | 105 AlphaGuard Target Patch |
| 31 Approved Base Ply Sheet | 71 AlphaGuard MT/MTS Top Coat | 106 Stripping Ply |



AlphaGuard® MT/MTS Plus Roof Drain, Temp. Roof, Gypsum Deck
Detail 32225

TREMCO
ROOFING & BUILDING MAINTENANCE